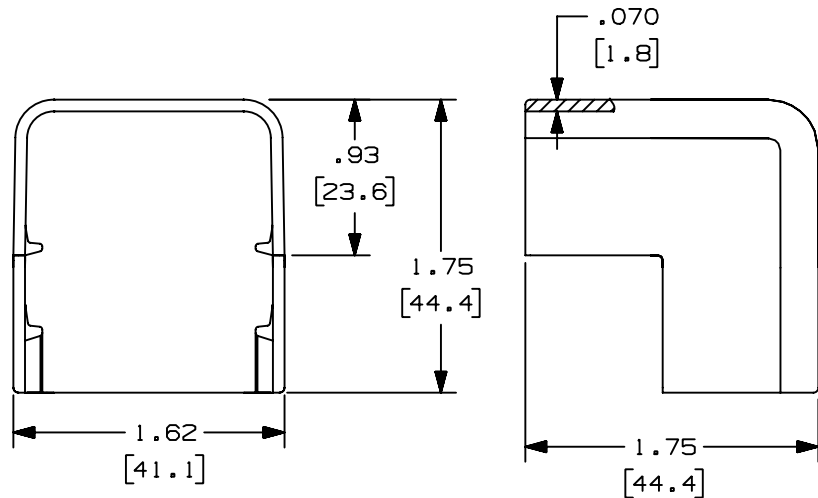
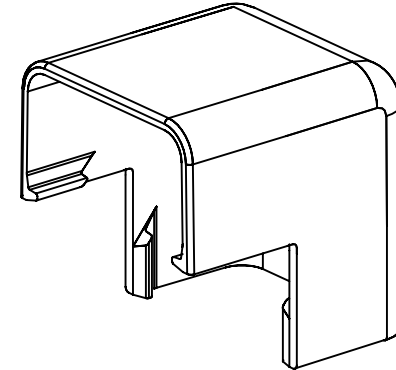


THIS COPY IS PROVIDED ON A RESTRICTED BASIS AND IS NOT TO BE USED IN ANY WAY DETRIMENTAL TO THE INTERESTS OF PANDUIT CORP.

PANDUIT P/N	WEIGHT
OCFC10	3.12 LB/100 PCS (1418g/100 PCS)



- NOTES:
- SEE CURRENT CATALOG FOR ADDITIONAL PART NUMBER SUFFIXES TO INDICATE COLOR AND OR PACKAGE QUANTITY.
  - SEE CATALOG FOR COMPLETE LIST OF PARTS APPLICABLE FOR USE WITH THIS PART.
  - DIMENSIONS IN PARENTHESES ARE IN METRIC.



THIS DRAWING SUPERSEDES SS-17777(A).

CAD FILENAME/LAYERS D35013DL\_ROCF10\_01.PRT

PANDUIT CORP. TINLEY PARK, ILLINOIS

OUTSIDE CORNER FITTING (OCFC10)  
CUSTOMER DRAWING

UNLESS OTHERWISE SPECIFIED,  
DIMENSIONAL TOLERANCES ARE:  
(.X) ± (.XXX) ±.010(.3)  
(.XX) ±.03(.8) ANGLES ±

UNLESS OTHERWISE SPECIFIED,  
ALL DIMENSIONS ARE GIVEN  
IN INCHES, THIRD ANGLE PROJECTION.

REV	DATE	BY	CHK	DESCRIPTION	ECN	CHK	CUST	SUP
--	---	---	---	A. REV'D P/N: WAS OCF10	-----	---		
1	04-25-98	JBA	CEF	REVISED DRAWING REV LEVEL, ADDED SIGN-OFFS	35013-12	CEF	CEF	
R	07-25-95	DW	CEF	RELEASED TO PRODUCTION.	35013-12	CEF		

DRAWN BY DW	MAT'L:  PVC	SCALE NONE
DATE 07-25-95		DRAWING NO. 35013-12
CHECKED BY CEF		DWG A SIZE